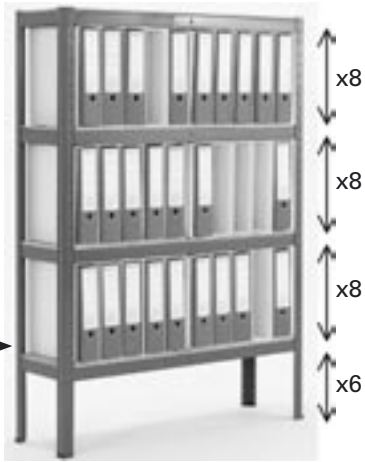


## File Box Assembly & Shelf Spacings

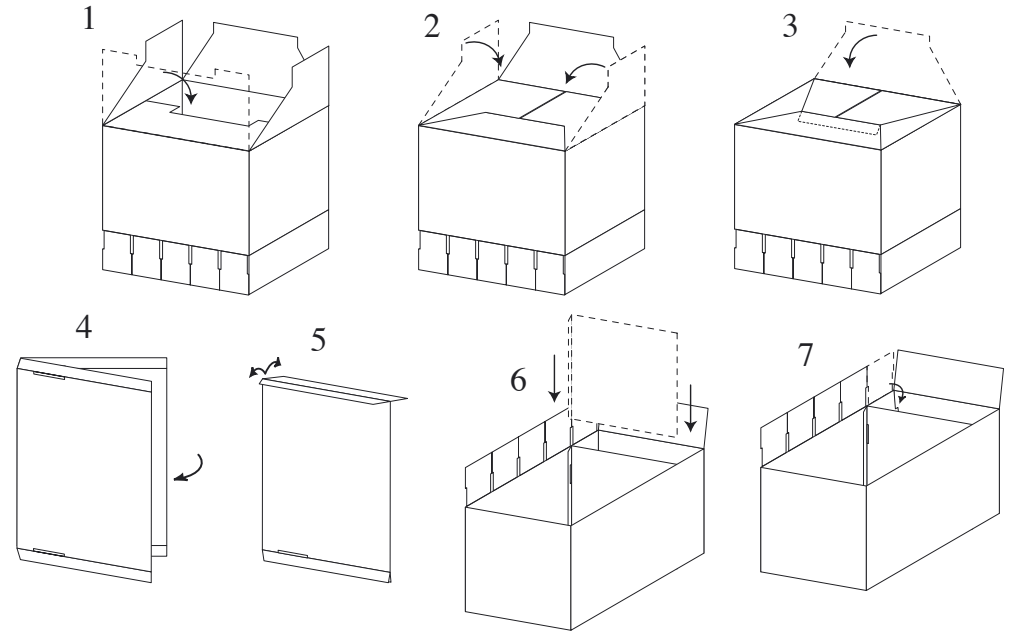
Follow the instructions included within the shelving pack, and apply the following shelf spacings. All spaces relate to clear holes. Firmly tap down all beams with a rubber mallet.

**File Storage**  
Codes: FS30 & FS40

**Tip!**  
Insert the file boxes before adding the next shelf, work from the bottom up.



**Alternative spacing:**  
For a looser fit you can leave an extra hole, giving spacings of: 3,9,9,9.



## Document Box Assembly & Shelf Spacings

Follow the instructions included within the shelving pack, and apply the following shelf spacing for each specific product purchased. All spaces relate to clear holes. Firmly tap down all beams with a rubber mallet.

**Document Storage**  
Code: DS12

**Archive Storage**  
Codes: AR25 & AR30

