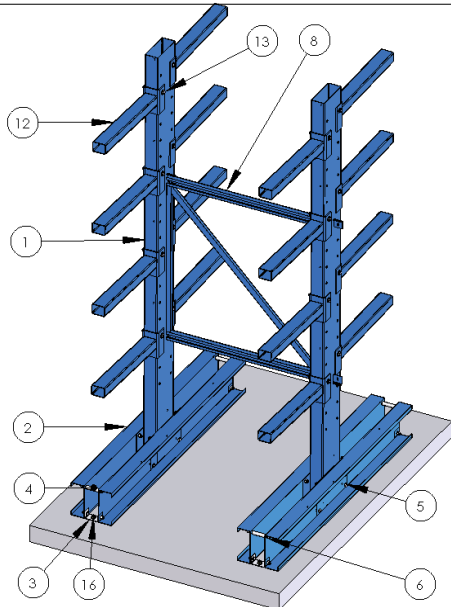


Cantilever Assembly Instructions

Code: CRM

Before assembling, added to this document, please read carefully the « Using and maintenance Instructions » document Ref. NMU-GB-06-01, enclosed.
Check that the floor is adequate, flat and can support the load.



COMPONENTS

Ref.	Description	Quantity	
		Simple	Double
Number of pieces per column			
1	Column-uprights	1	1
2	Base-Profiles	2	2
3	Floor fixation footplate	1	2
4	Row spacer between bases profiles	1	2
5	Screw H M 12x20	10	12
6	Screw H M12x110(Screw H M 12x70 Light CANTI.)	1	2
7	Locknut Ø 12	11	14
Number of pieces per bracing			
8	Bracing	1	1
9	Screw CHC 8x20	4	4
10	Washer Ø8	4	4
11	Nuts Ø 8	4	4
Number of components per arm			
12	Arm	1	1
13	Screw H M12x130 (Screw H M 12x70 light CANTILEVER)	1	1
14	Washer Ø12	2	2
15	Locknut Ø 12	1	1
16	Floor fixing 12-40/100	1	2

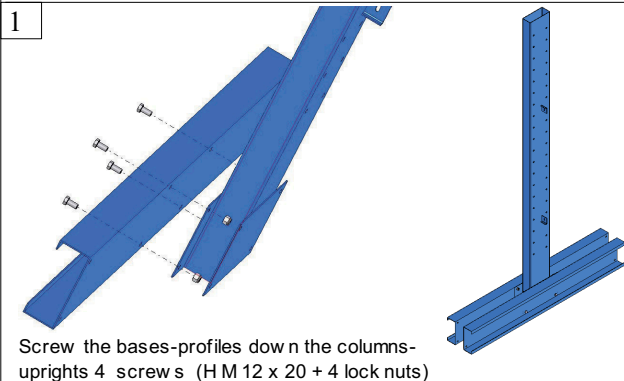
For manual storage only

The assembly of this equipment requires qualified and competent persons who respect the safety and industrial hygiene regulations in force.

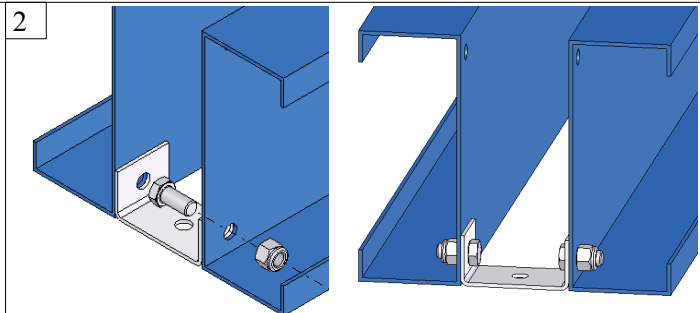
Cantilevers have to be fixed on the floor. Required quality : concrete floor with resistance type 16/20. Each year, users have to check the tightening of screws on the structure.

Compulsory : On a same side, the length of the base must be \geq to the length of arms. Place the heaviest loads on the base of the shelving.

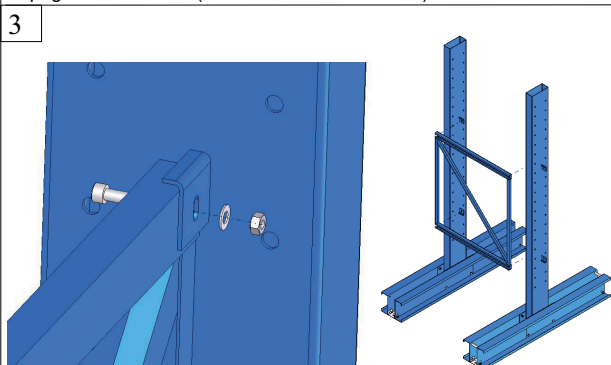
Tools required for assembly of cantilever



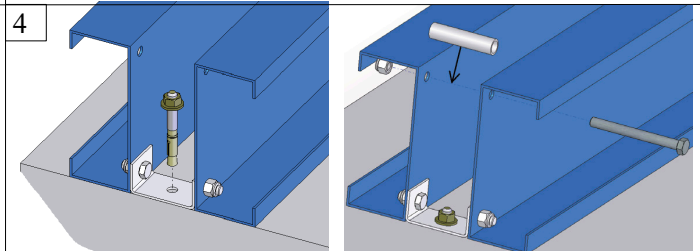
Screw the bases-profiles down on the columns-uprights 4 screws (H M 12 x 20 + 4 lock nuts)



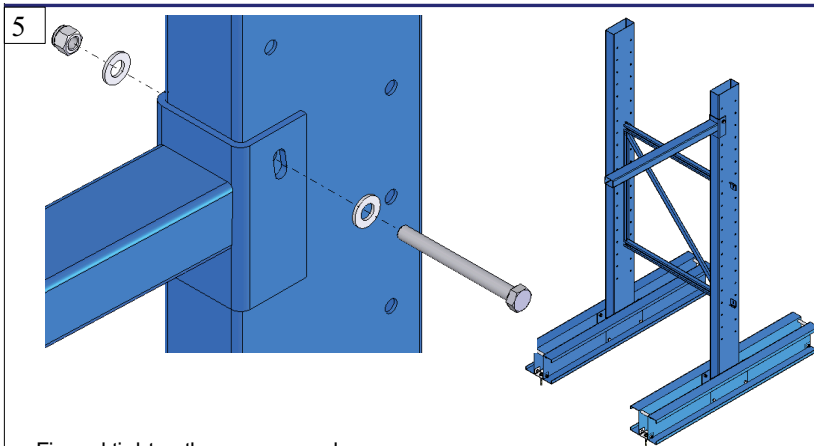
Screw down the footplate (2 screws H M12 x 20 + locknuts)



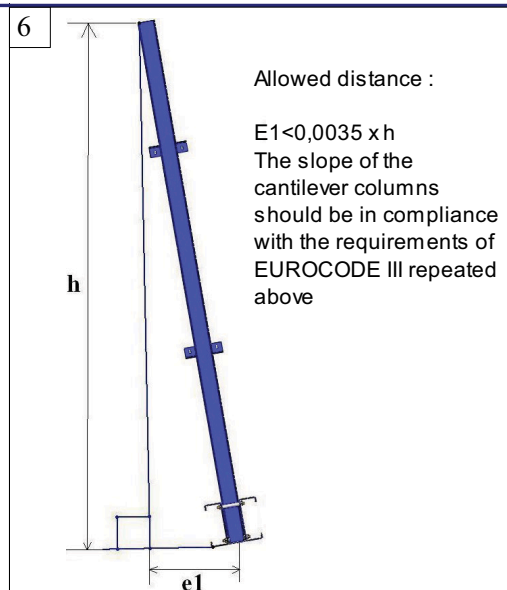
Fix the bracing (4 screws CHC M8 x 20 + washer +nut H)



Fix the cantilever on the floor with floor fixings 12-40 /100)
Place the row spacers between bases Light (screw H M12x70 + washers+ locknuts)
semi-heavy (screws HM12 x 110 + washers + locknuts)



Fix and tighten the arms on columns
 Light (screws H M 12x70 + washer + locknut)
 Semi-heavy (screws H M12 x110 + washers + locknuts)



Allowed distance :
 $E1 < 0,0035 \times h$
 The slope of the cantilever columns should be in compliance with the requirements of EUROCODE III repeated above

Load per column and per arm
 U.D.L., based on an optimal configuration
LIGHT CANTILEVER

Loading capacity per column 140 x 40 x 3

Height	1 750 mm	2 000 mm	2 500 mm	3 000 mm
Simple sided	890 kg	960 kg	810 kg	715 kg
Double sided	1 790 kg	1 920 kg	1 620 kg	1 430 kg

Loading capacity per arm

Arm Lengths	Profiles	
	80 x 40 x 2 mm	40 x 40 x 2 mm
300 mm	540 kg	246 kg
400 mm	403 kg	184 kg
500 mm	320 kg	149 kg
600 mm	261 kg	124 kg
700 mm	218 kg	106 kg
800 mm	186 kg	92 kg

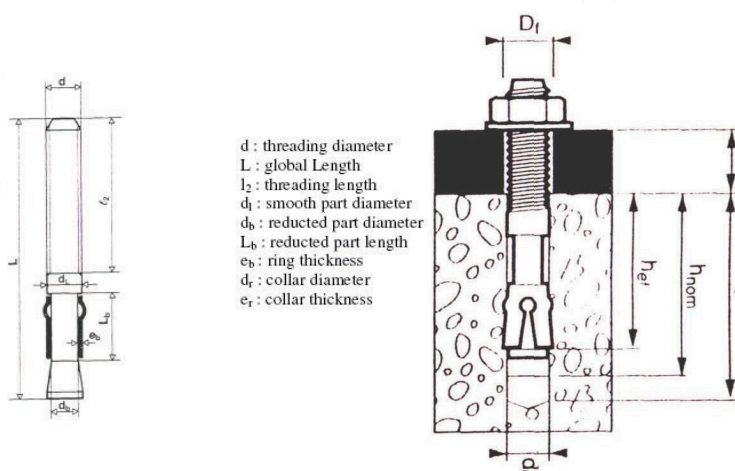
SEMI-HEAVY CANTILEVER
Loading capacity per column 200 x 80 x 3

Height	2 000 mm	2 500 mm	3 000 mm	3 500 mm	4 000 mm
Simple sided	2 240 kg	1 925 kg	1 700 kg	1 520 kg	1 390 kg
Double sided	4 480 kg	3 850 kg	3 400 kg	3 040 kg	2 770 kg

Loading capacity per arm

Arm Lengths	Profiles		
	80 x 60 x 3 mm	80 x 40 x 2 mm	40 x 40 x 2 mm
300 mm	1200 kg	450 kg	240 kg
400 mm	800 kg	320 kg	180 kg
500 mm	600 kg	250 kg	140 kg
600 mm	500 kg	200 kg	120 kg
700 mm	400 kg	150 kg	100 kg
800 mm	350 kg	130 kg	90 kg
1 000 mm	275 kg	95 kg	70 kg
1 200 mm	200 kg	70 kg	X

Sketch of the bolt and conditions of its bringing into play



Maintenance & guarantee :
 The steel structure of the cantilever can be cleaned with any detergent that does not attack the epoxy coating (detergents with chlorine should be avoided)
Modifications of the structure : Any modification of the structure compared to the initial plans, established by the development of the product, should be subjected to a request to the supplier.
 In case of an impact, if the structure shows cracks or deformations, the use of the product should stop immediately and the user should contact the supplier.

NM-CT-GB-06-MK01

References	hef	hnom	tfix(*)	tfix2(**)	do	ho	Df	Banner To Use
12-40/100	45.4	60	40	35	12+0.5	72	14	18

References	Code Zn	d	L	l2	DL	Db	Lb	er	dr	er
12-40/100	50630	M12	100	55	12	9,1	25,7	1,1	27	2,5