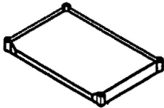
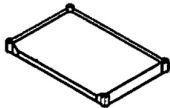
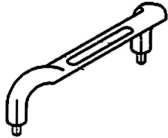







2 Shelf Plastic Trolley

Code: BPT2

Contents

 AX1	 BX1	 CX2	 DX4
 EX2	 FX2	 GX1	 HX4

