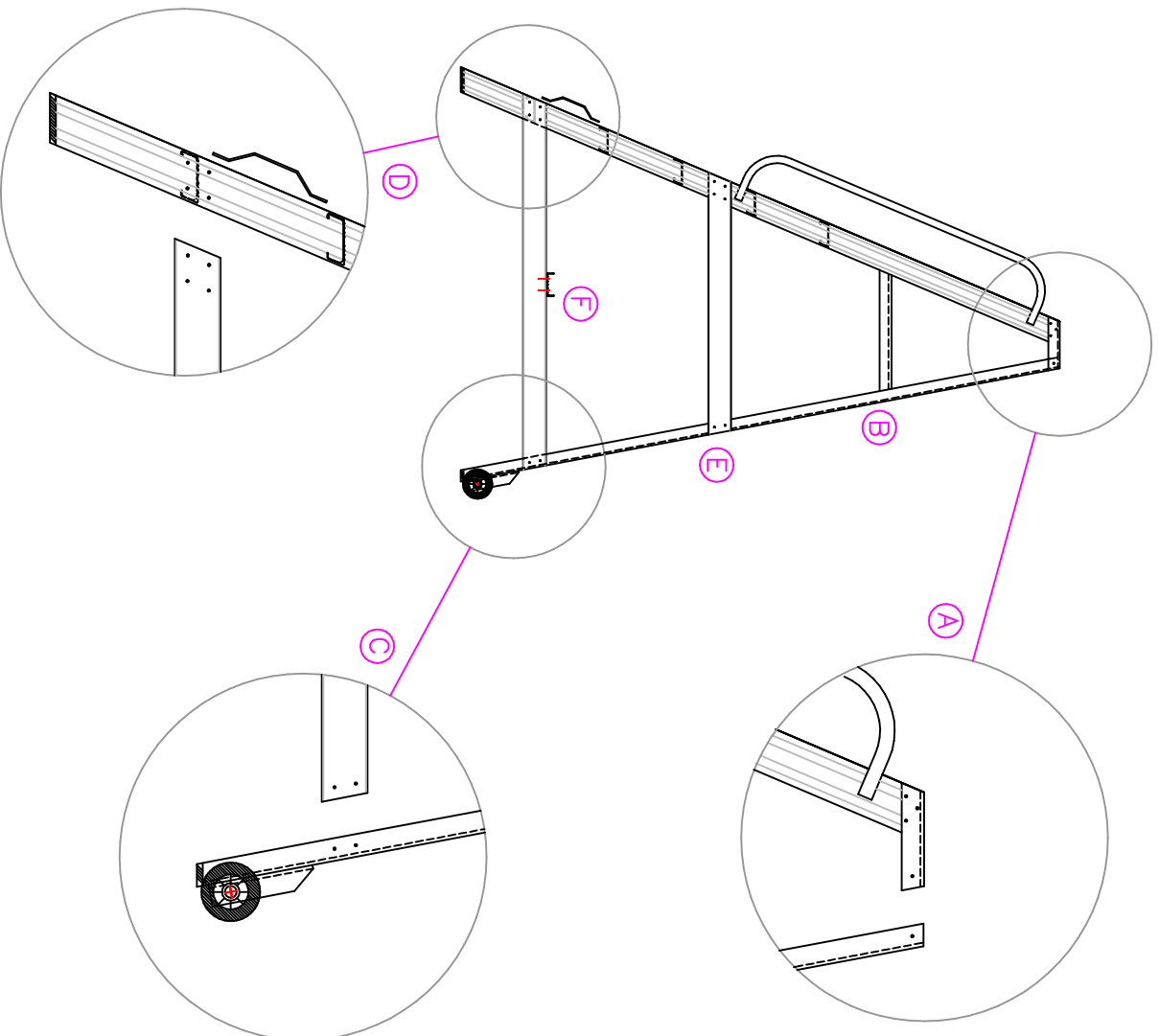


If in doubt - ask !



INSTRUCTIONS FOR ASSEMBLY: -

LAY STEP DOWN ON IT'S SIDE ON A LEVEL SURFACE.
 ATTACH BOLTS/NUTS AT POINTS "A","C" AND "D"
 TURN STEP OVER AND REPEAT. DO NOT TIGHTEN
 LOCKING NUTS AT THIS STAGE.

STAND STEP UP AND ENSURE IT IS SQUARE
 AND TRUE, ON A LEVEL SURFACE.
 THEN TIGHTEN ALL LOCKING NUTS
 SECURELY, CHECKING FOR STABILITY.

LAY STEP DOWN AND FIX PLATFORM "B",
 AND BRACE "F"
 ATTACH NUTS AND TIGHTEN.
 NB-BRACING "E" IS ONLY SUPPLIED
 WITH MODELS CWS9 AND OVER.
 BRACING "F" IS ONLY SUPPLIED
 WITH MODELS CWS8 AND OVER.

DESCRIPTION:
 ASSEMBLY DETAILS FOR WAREHOUSE STEP RANGE



ISSUE		REVISIONS	
DESCRIPTION	BY	DATE	

CMI

CHASE
 Manufacturing Ltd.

UNIT 21 ESTUARY ROAD
 QUEENSWAY MEADOWS INDUSTRIAL
 ESTATE, NEWPORT NP19 4SP

Tel/Fax: (01633) 281800
 sales@chaseadders.co.uk
 www.chaseadders.co.uk

THIS DRAWING IS PROTECTED BY COPYRIGHT AND MUST NOT BE REPRODUCED IN WHOLE OR PART WITHOUT PRIOR WRITTEN PERMISSION
 SPECIFICATIONS MAY BE CHANGED WITHOUT NOTICE AND ARE THOSE RULING AT DATE OF DESPATCH

DRN:	CT	CHECKED:	
SCALE:	N/A	DATE:	12/06/07
DRAWING NO. CWS2(B)			