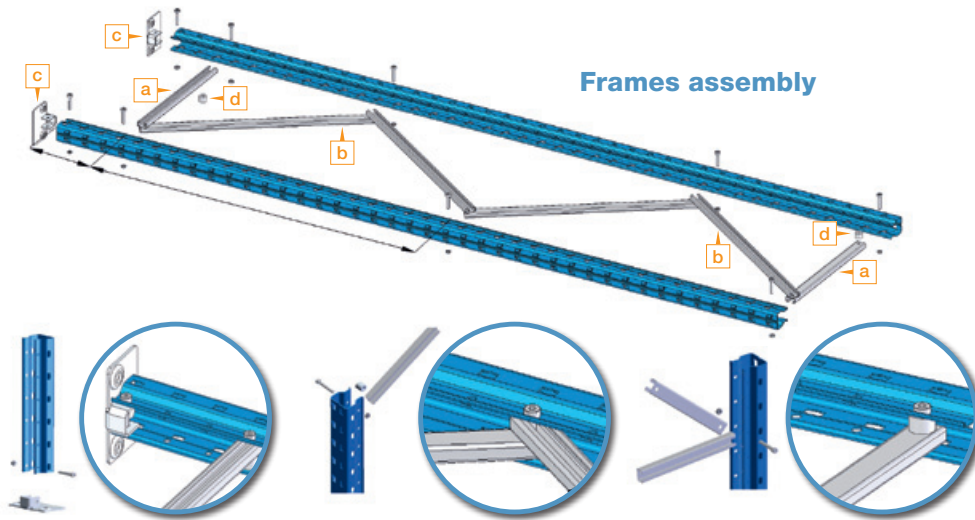


Assembly instructions for Epsivol shelving

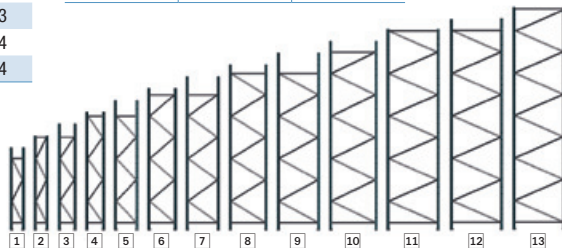
Check that the floor is adequate, flat and can support the load.



Frames composition:

Frame H.	a	b	c	d	Screws M6x40	Nuts M6	
1	1750 mm	2	3	2	2	8	8
2	2000 mm	2	4	2	2	9	9
3	2250 mm	2	4	2	2	9	9
4	2500 mm	2	5	2	2	10	10
5	2750 mm	2	5	2	2	10	10
6	3000 mm	2	6	2	2	11	11
7	3250 mm	2	6	2	2	11	11
8	3500 mm	2	7	2	2	12	12
9	3750 mm	2	7	2	2	12	12
10	4000 mm	2	8	2	2	13	13
11	4250 mm	2	9	2	2	14	14
12	4500 mm	2	9	2	2	14	14

Depth	Length	
	Frame	Diagonal brace
400 mm	340 mm	573 mm
500 mm	440 mm	636 mm
600 mm	540 mm	708 mm
700 mm	640 mm	786 mm
800 mm	740 mm	869 mm
900 mm	840 mm	955 mm
1000 mm	940 mm	1044 mm
1100 mm	1040 mm	1135 mm
1200 mm	1140 mm	1227 mm



Security instructions:

- For manual storage only.
- Max. height of 1st level: 900 mm
- Max. distance between two levels: 900 mm
- Always load the heaviest items on the bottom shelf.
- Max. uniformly distributed load per bay: 4500 kg
- Support beams compulsory for:
 - Beams of 2500 mm or longer.
 - Frames 800 mm deep or more.
- 2 bolts per frame for fixing to concrete floor: M10 diam.10 length 90 mm
- Minimum 2 levels of beams per bay.

Beams:

Min. number of support beams according to beam lengths and frame depths

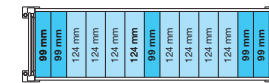
Frame depths (mm)	Beam lengths (mm)									
	1000	1250	1500	1800	2000	2250	2500	2700	3000	3250
400	0	0	0	0	0	0	2	2	2	2
500	0	0	0	0	0	0	2	2	2	2
600	0	0	0	0	0	0	2	2	2	2
700	0	0	0	0	0	0	2	2	2	2
800	(1) 2	(1) 2	2	2	2	2	2	2	2	2
900	(1) 2	(1) 2	2	2	2	2	2	2	2	2
1000	(1) 2	(1) 2	2	2	2	2	(2) 3	(2) 3	(2) 3	(2) 3
1100	(1) 2	(1) 2	2	2	2	2	(2) 3	(2) 3	(2) 3	(2) 3
1200	(1) 2	(1) 2	2	2	2	2	(2) 3	(2) 3	(2) 3	(2) 3

The number of support beams recommended may vary depending on the conditions of use: please ask. In brackets: number of support beams required, if fitting galvanised steel sheet panels.

Composition of modules galvanised steel sheet panel

Beam length (in mm)	Number of modules L.99 mm	Number of modules L.124 mm
1000	5	4
1250	5	6
1500	5	8
1800	3	12
2000	5	12
2250	5	14
2500	5	16
2700	2	20
3000	5	20

Positioning of the modules from the galvanised steel sheet panel of L.1000 / 1250 / 1500 / 2000 / 2250 / 2500 / 3000 mm



Place 2 modules of L.99 mm at each end of level,
1 module of L.99 mm at the middle of the level.

Distribute the modules of L.124 mm evenly on either side of the central module of L.99 mm.

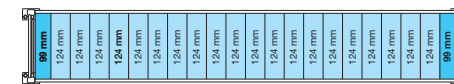
Positioning of the modules from the galvanised steel sheet panel of L.1800 mm



Place 1 module of L.99 mm at each end of level,
1 module of L.99 mm at the middle of the level.

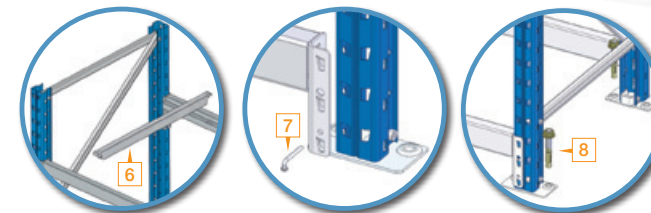
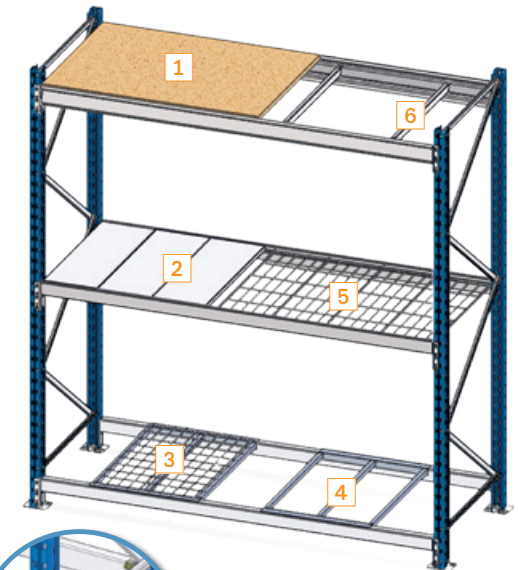
Distribute the modules of L.124 mm evenly on either side of the central module of L.99 mm.

Positioning of the modules from the galvanised steel sheet panel of L.2700 mm



Place 1 module of L.99 mm at each end of the level.
Complete with the modules of L.124 mm.

- Chipboard 19 mm*
White melaminated chipboard 19 mm*
- Galvanised steel sheet shelf
- Mesh shelf
- Tubular shelf
- Electro zinc wire shelf Ø 5 mm
- Support beam
- Safety pin (optional)
- Concrete floor fixing (optional)



* For rectangular beams, use 4 stops per shelf or a minimum of 2 support beams with stops per chipboard or steel sheet shelf.