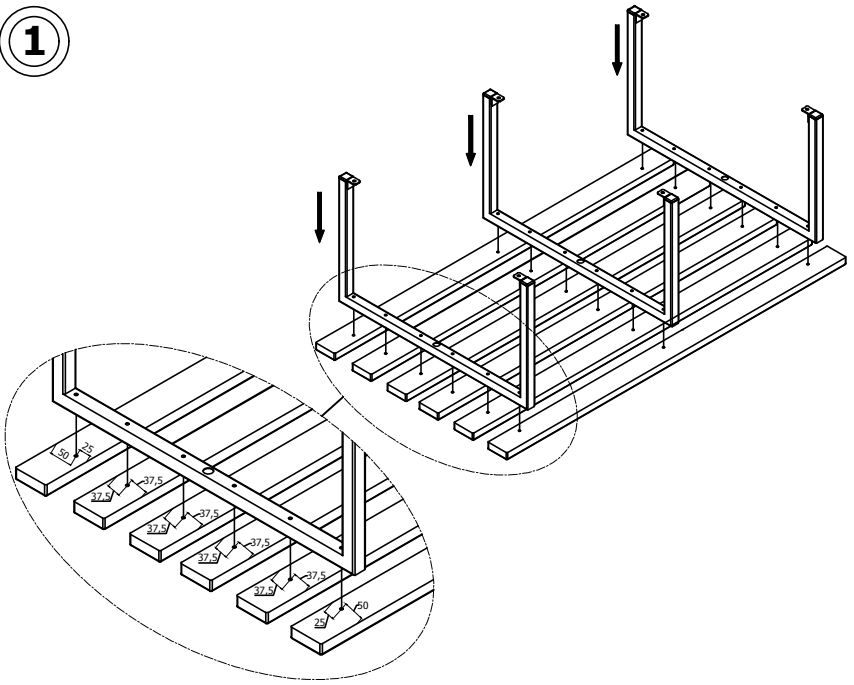
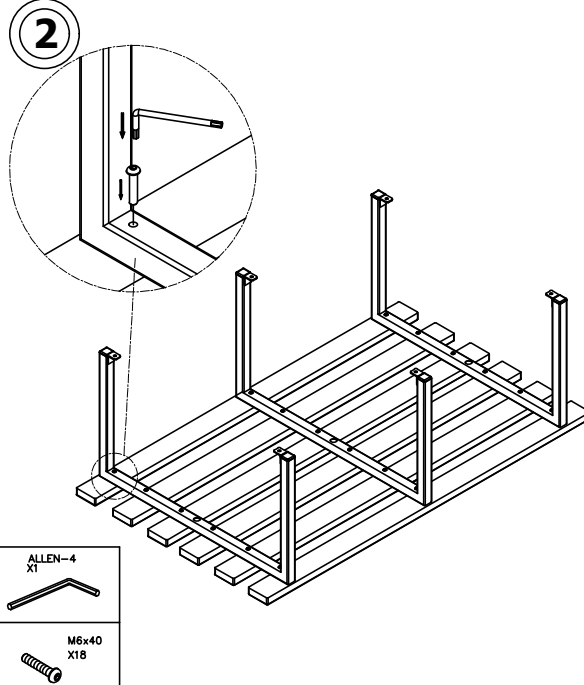


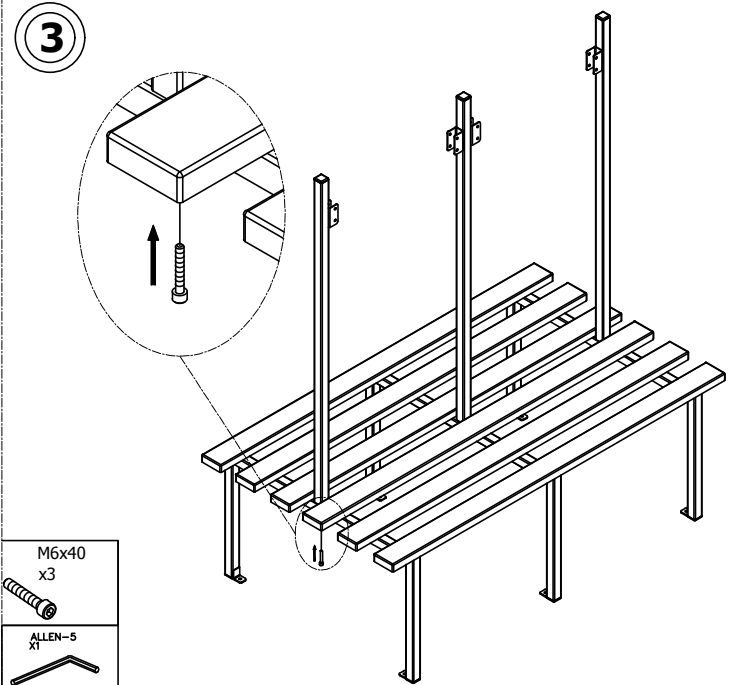
1



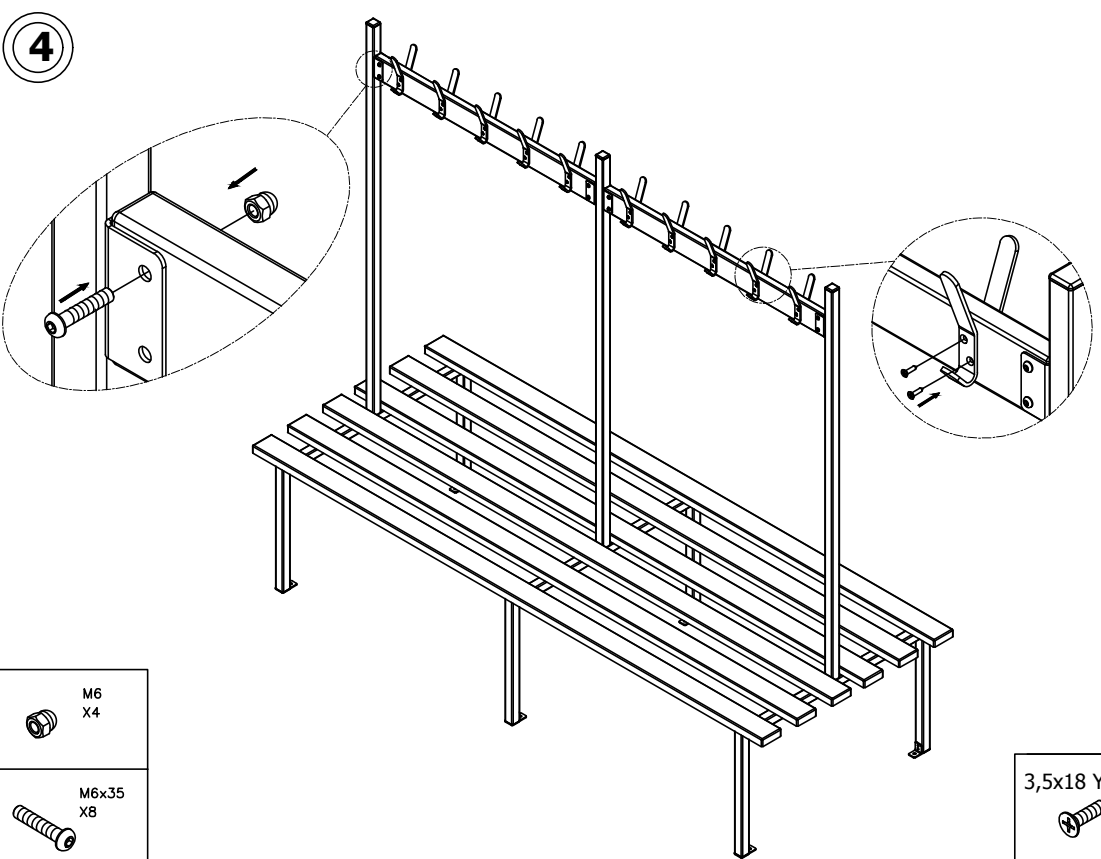
2



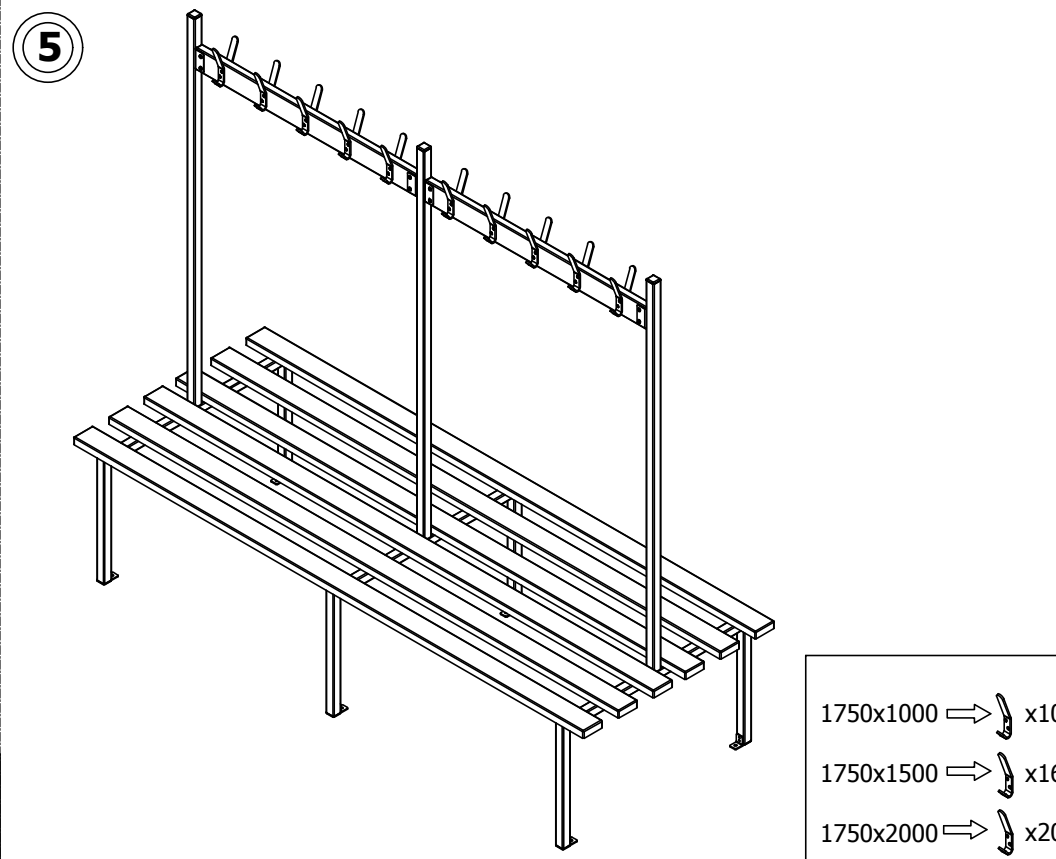
3



4



5



3,5x18 YHB

1750x1000 → x10
 1750x1500 → x16
 1750x2000 → x20