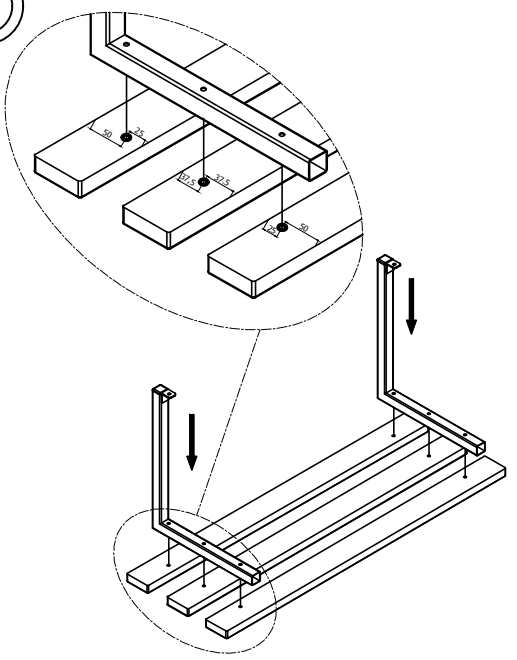
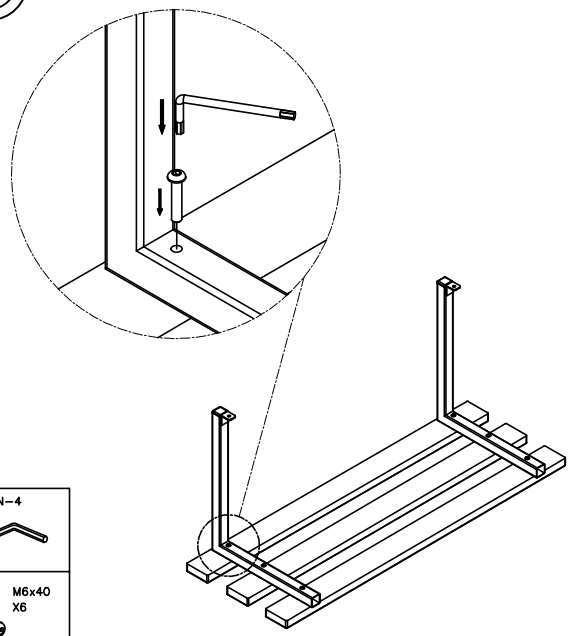


1



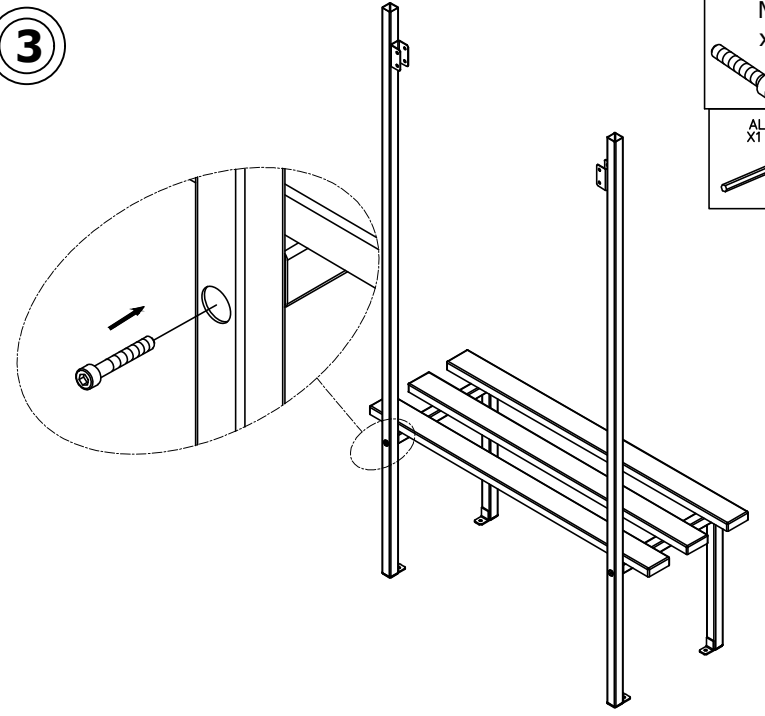
2



ALLEN-4  
X1

M6x40  
X6

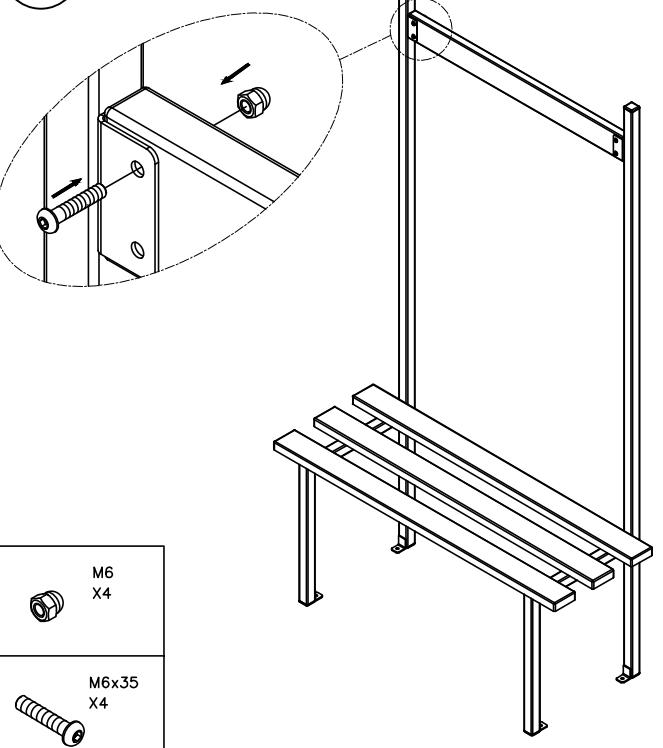
3



M6x40  
x2

ALLEN-5  
X1

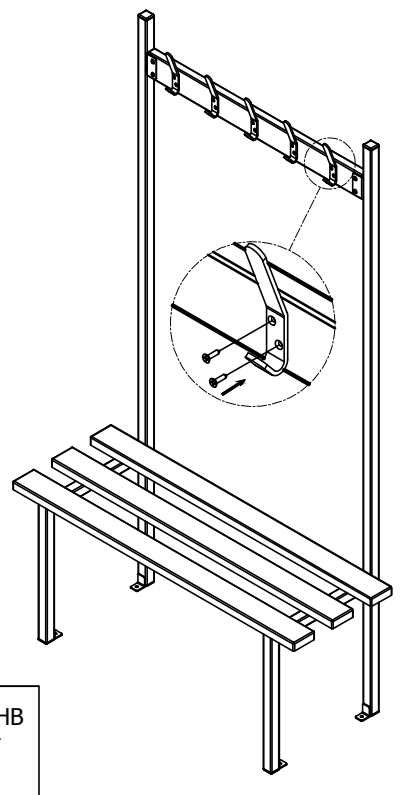
5



M6  
X4

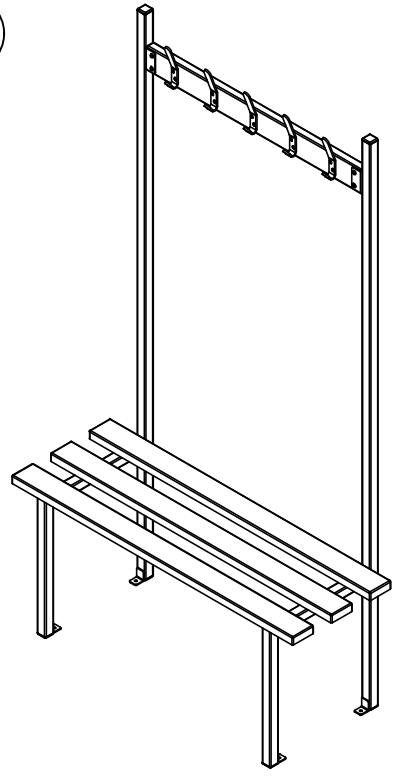
M6x35  
X4


6





3,5x18 YHB

7



1750x1000 →  x5

1750x1500 →  x8

1750x2000 →  x10