

Wide Span Shelving Assembly Instructions

Important – Please follow instructions carefully when assembling this product.

Parts List:

Starter Units	Qty
Frames	2
Shelf beams	8
Beam ties	4
Chipboard or Wire decks	4
Extension Units	Qty
Frames	1
Shelf beams	8
Beam ties	4
Chipboard or Wire decks	4

Please contact your supplier if any parts are missing or damaged **before** assembly.

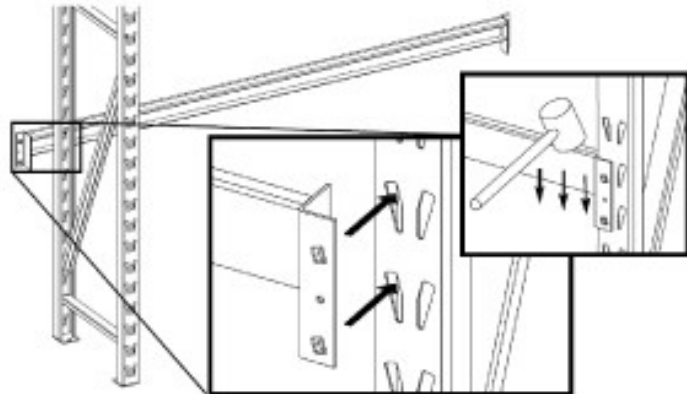
Safety Information

- Two People are required for safe assembly
- You will need a rubber mallet to fix beams securely
- Install shelving on a level and secure surface. Avoid soft surfaces like carpet, asphalt or tarmac.
- We recommend the use of floor fixings in commercial installations
- Chipboard decks not suitable for external use
- The maximum load per shelf is **375kgs UDL***
- The maximum load per bay is **1000kgs UDL***
- **Never** climb on shelving

*UDL = uniformly distributed load

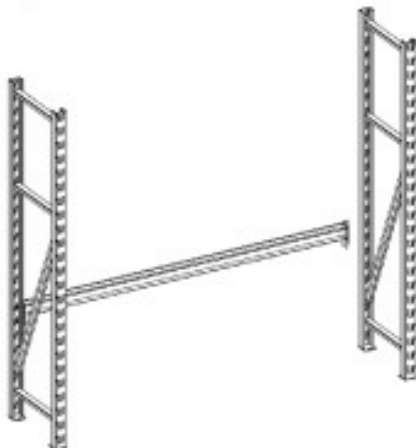
Step 1

While one person is holding a frame in position, insert the first shelf beam into the frame at the lowest position required. Tap the beam into place near the joint with a rubber mallet so that the beam clips are at the bottom of the frame slots (see diagram).



Step 2

Join the shelf beam to the other frame at the same height. Count the number of frame slots to make sure they are the same at both ends. Tap into place with a rubber mallet as in step 1.



Step 3

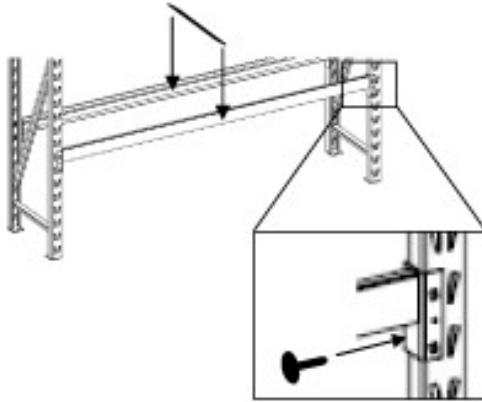
Repeat steps 1 and 2 to install the other shelf beams. Count the number of slots to make sure the gaps are equal between beams.



Continued over...

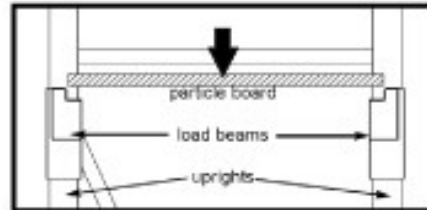
Step 4

Insert a wire beam tie into the centre slots on the underside of each pair of beams. This prevents the beams from splaying apart when taking heavy loads. Then fix each end of the beam in place with a push pin to prevent it from working loose.

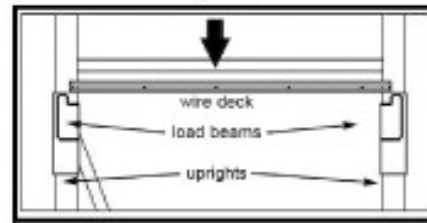


Step 5

Starting at the bottom level, place the chipboard or wire decks onto the top inner lip of each pair of beams as shown in the diagrams.

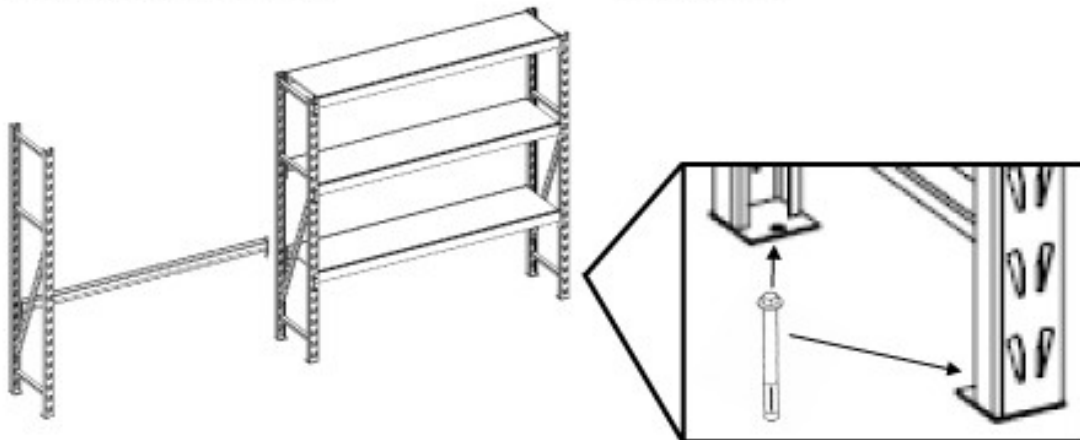


OR



Step 6

If you have purchased extension units, ensure the first bay is in the required position. Then add the next shelf beams to the end frame of the first bay following steps 1 to 5 above. Repeat for the required number of extension units.



Step 7

Finally if required, fix frames to the floor through the hole in each foot with appropriate floor fixings (expansion bolts for concrete or screws for wood). Fixings are an optional accessory and not supplied as standard.

Important! Please remember safety guidelines

