

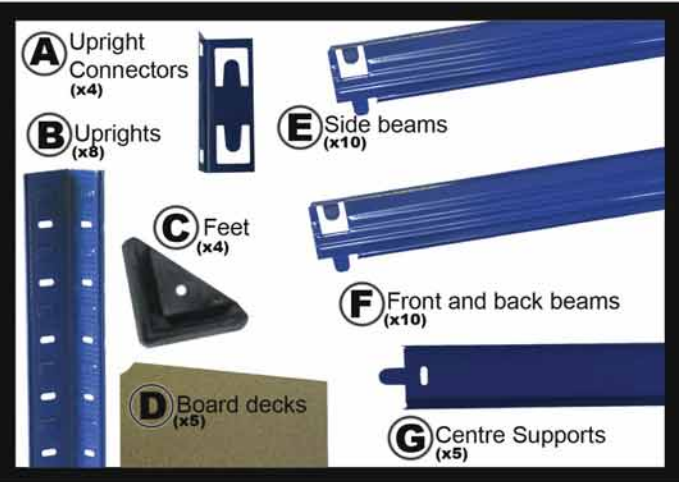
# 150 BUDGET SHELVING

## ASSEMBLY INSTRUCTIONS

AS1

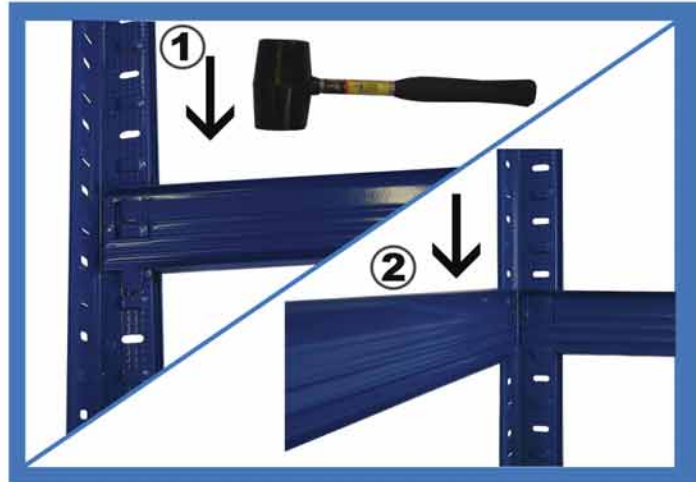
### ADVISORY NOTES:

For ease of assembly, please read through all instructions before commencing. We recommend wearing protective gloves and goggles when assembling. We recommend all bays assembled in runs are fixed together using our bay connectors (or can be bolted together).



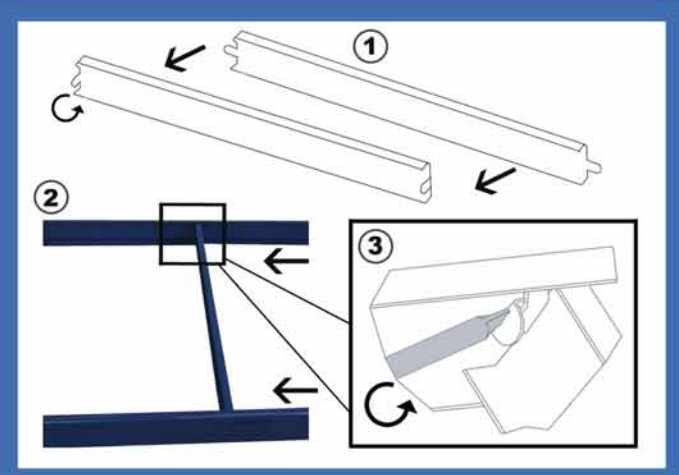
### STEP 1

Check that all components are present.



### STEP 2

Use rubber mallet to tap in beams. Start from bottom shelf and work upwards. Please ensure that bottom shelf is no more than 3 spaces up.



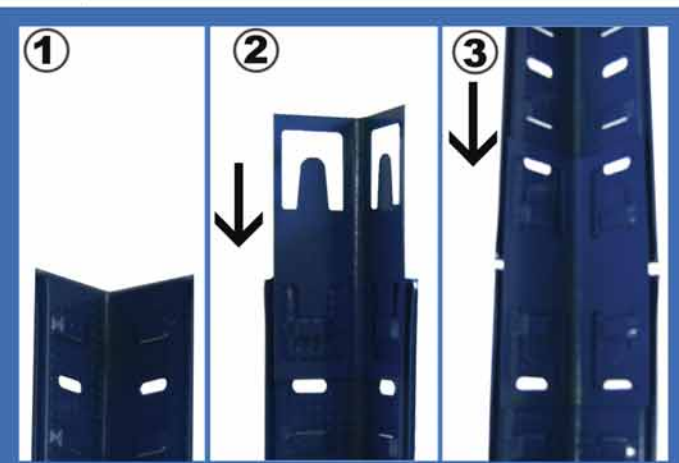
### STEP 3

1. Bend tabs on centre support beam to 90 degrees. 2. Slide the support beam in place. 3. Use a screwdriver to bend tabs so the beam is secure.



### STEP 4

Repeat step 2-4 for 2nd shelf and place the chipboards on the beams.



### STEP 5

Attach connectors to uprights, tapping down gently with mallet.



### STEP 6

Repeat steps 2 - 4 to assemble all shelves.